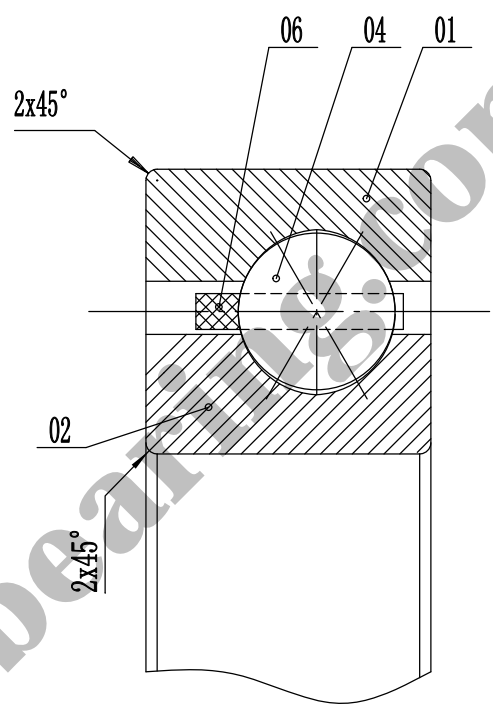


I enlarged view



KAYDON THIN SECTION BEARING

Formal drawing of 39332001 will be submitted after contact with:
sales@jcb-bearing.com or sales@thinsectionbearings.com

| | | | | | |
|----|------------|---|------------------|--|--|
| 06 | cage | | Brass | | |
| 04 | steel ball | | AISI 52100 Steel | | |
| 02 | inner ring | 1 | AISI 52100 Steel | | |
| 01 | outer ring | 1 | AISI 52100 Steel | | |

| No. | designation | qty | material | weight (kg) | | remark |
|---|-------------|-----|----------|---|--------|--------|
| | | | | unit | total | |
| Luoyang JCB Bearing Technology Co., Ltd Contact information Company Address : No.285 Fenghua road, Luoyang, Henan,China. Postal code : 471000 Phone : 0086-379-68611678 Fax : 0086-379-68611679 E-mail: sales@jcb-bearing.com Reserved E-mail: sales@thinsectionbearings.com Website: http://www.jcb-bearing.com https://www.thinsectionbearings.com | | | | 39332001 | | |
| | | | | | 2.5 | — |
| | | | | total page 1 | page 1 | |
| | | | | Luoyang JCB Bearing Technology Co., Ltd | | |